

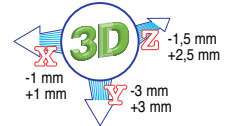


BELLEVUE
ARCHITECTURAL

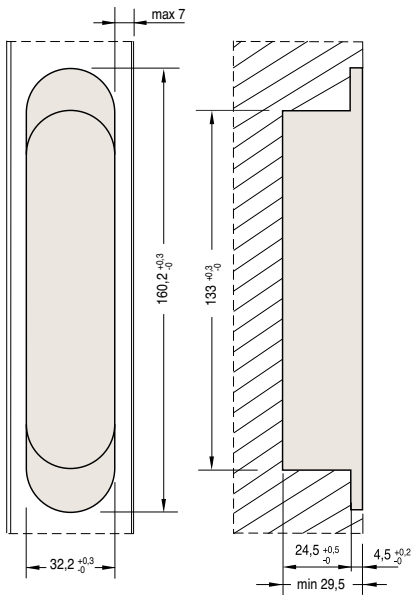
CEAM INVISIBLE HINGES
new adjustable 3D concealed hinge products for swing doors
100% made in Italy

3D Concealed Hinge BAC1131 Technical Data

Fully Adjustable: Max 120kg

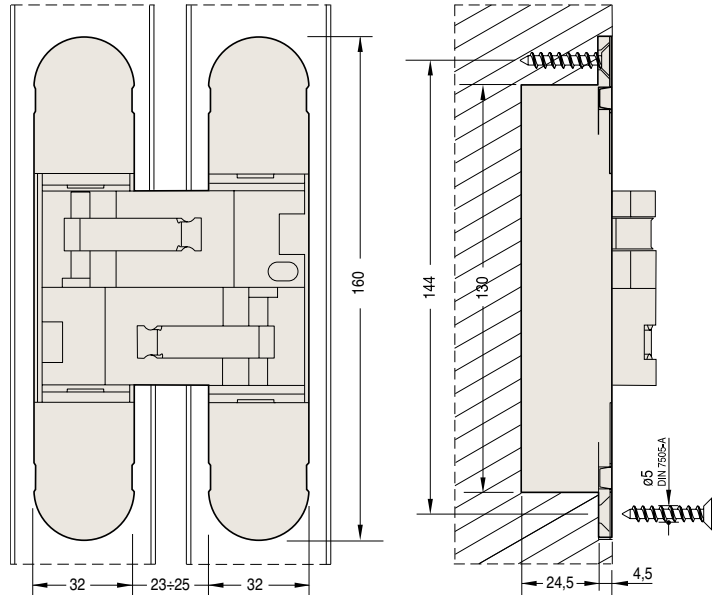


Timber Rebate Measurements



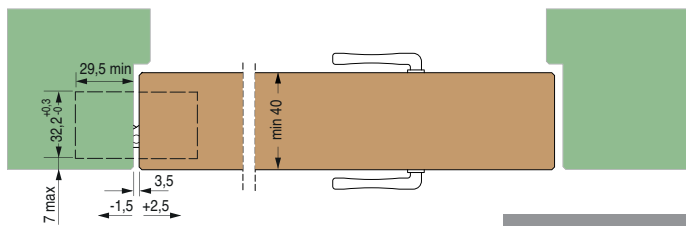
Only 29.5mm rebate

Hinge Measurements



Only 29mm deep

BAC1131 Diagrams



Hinge rebated 7mm max from edge of door and jamb on opening side

BAC1131 Quick Facts

- Fully 3D adjustable
- Ceam quick release system
- 100% Made in Italy for over 50 years
- Suitable for high frequency opening doors
- Jig & router template available for easy of installation
- Suitable for internal & external (under cover) locations
- Suitable for residential, commercial & industrial locations

No. of Hinges based on Door Width & Weight

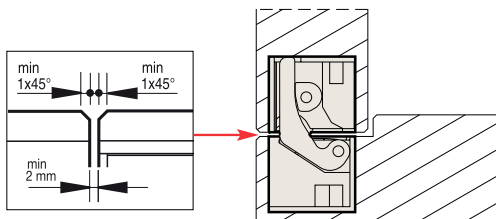
Door width up to 850 mm
height up to 2100 mm

A - 2 hinges 80 kg Max
B - 3 hinges 120 kg Max

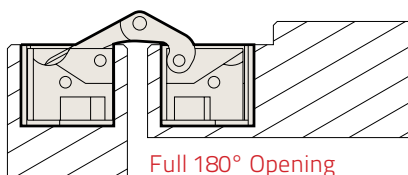
more than 2100 mm high
C - 4 hinges 120 kg Max

Before applying a door closing device,
please contact our technical office on
+61 3 9571 5666

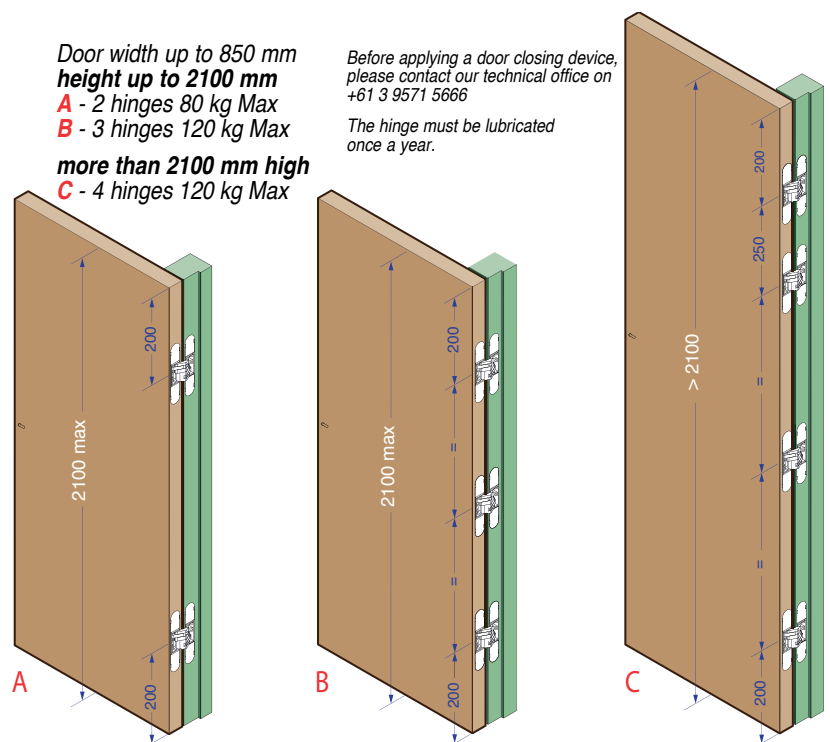
The hinge must be lubricated
once a year.



Min 2mm gap between door and jamb

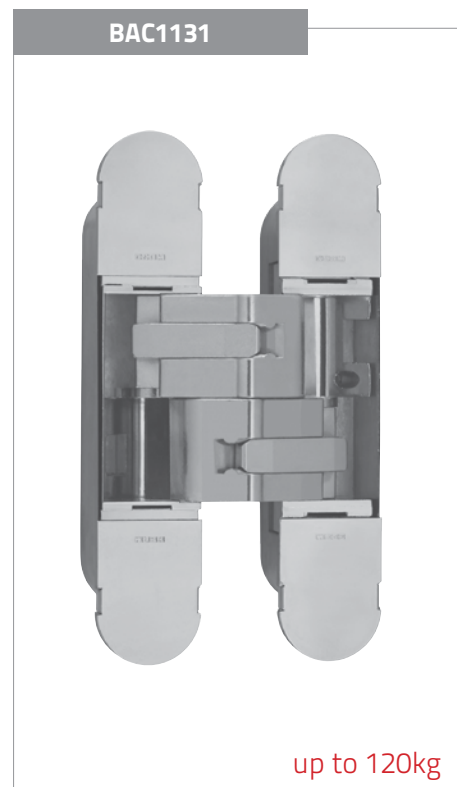
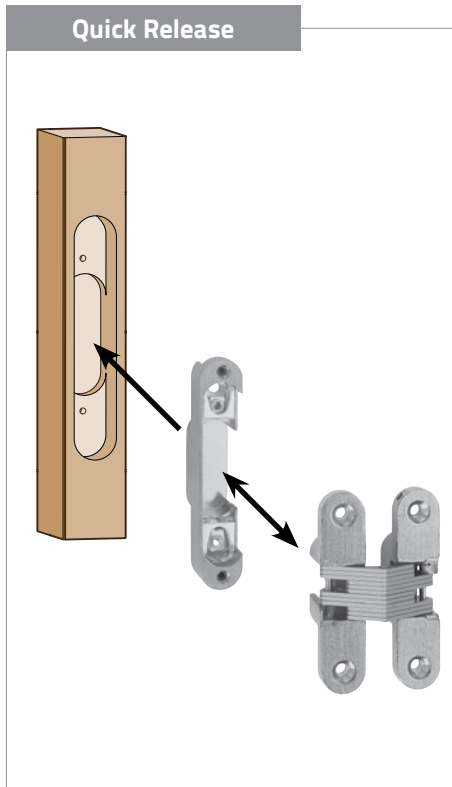
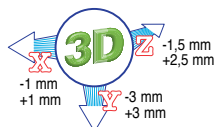


Full 180° Opening



3D Concealed Hinge BAC1131 Functional Data

Fully Adjustable: Max 120kg



up to 120kg

The mammoth BAC1131 3D full adjustable concealed hinge is revolutionary in its design and is rated to carry a 120kg door to 180° opening aperture.

A blended door to wall look and feel: once closed, the BAC1131 hinge becomes invisible, hidden away by the jamb and the door butting up against each other.

Walls no longer need to be visually interrupted by the traditional butt hinge where the two leaves of the hinge meet and protrude out past the jamb.

The formal architectural composition of a wall can now continue without interruption, creating an aesthetically appealing appearance that is truly clean and elegant.

Quick release: Ceam's quick release system is revolutionary - once the hinge is installed, you never need touch the door or jamb again.

The hinge sits within a cup, the cup is rebated and fixed to the door and jamb, the hinge is fastened to the cup. As a result, if the door needs to come down, all you do is unscrew the locking bolts and remove the hinge from the cup.

The door can be removed and reinstalled for painting and adjustments without damaging timber or paint work, saving time and money.

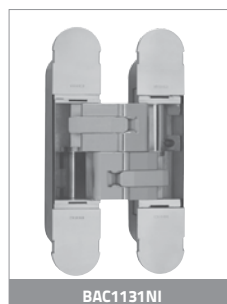
Door movement: over time, this can be an expensive problem to fix. Not with the BAC1131 3D fully adjustable hinge; it specifically caters for door movement.

Once movement occurs, a door may not close properly or rub the paintwork. To fix, the door needs to come down and then the door and/or jamb needs to be planed and repainted; a costly and time consuming effort.

Using the BAC1131, simply adjust the position of the door via the settings within the hinge. This adjustment is done without the door coming down.

BAC1131 Quick Facts

| | |
|------------------------|---|
| Min. door thickness | 40mm |
| Max. door weight | 120kg |
| Narrow timber rebate | 29.5mm |
| Gap when closed | 2mm |
| Working aperture | 180° |
| Manufacturing location | 100% Made in Italy |
| Reliability | Certified to over 150,000 cycles |
| Adjustable | Full 3D adjustment on 3 (X,Y,Z) axes |
| Quick Release | Ceam quick release system, never need to touch the door or jamb again |

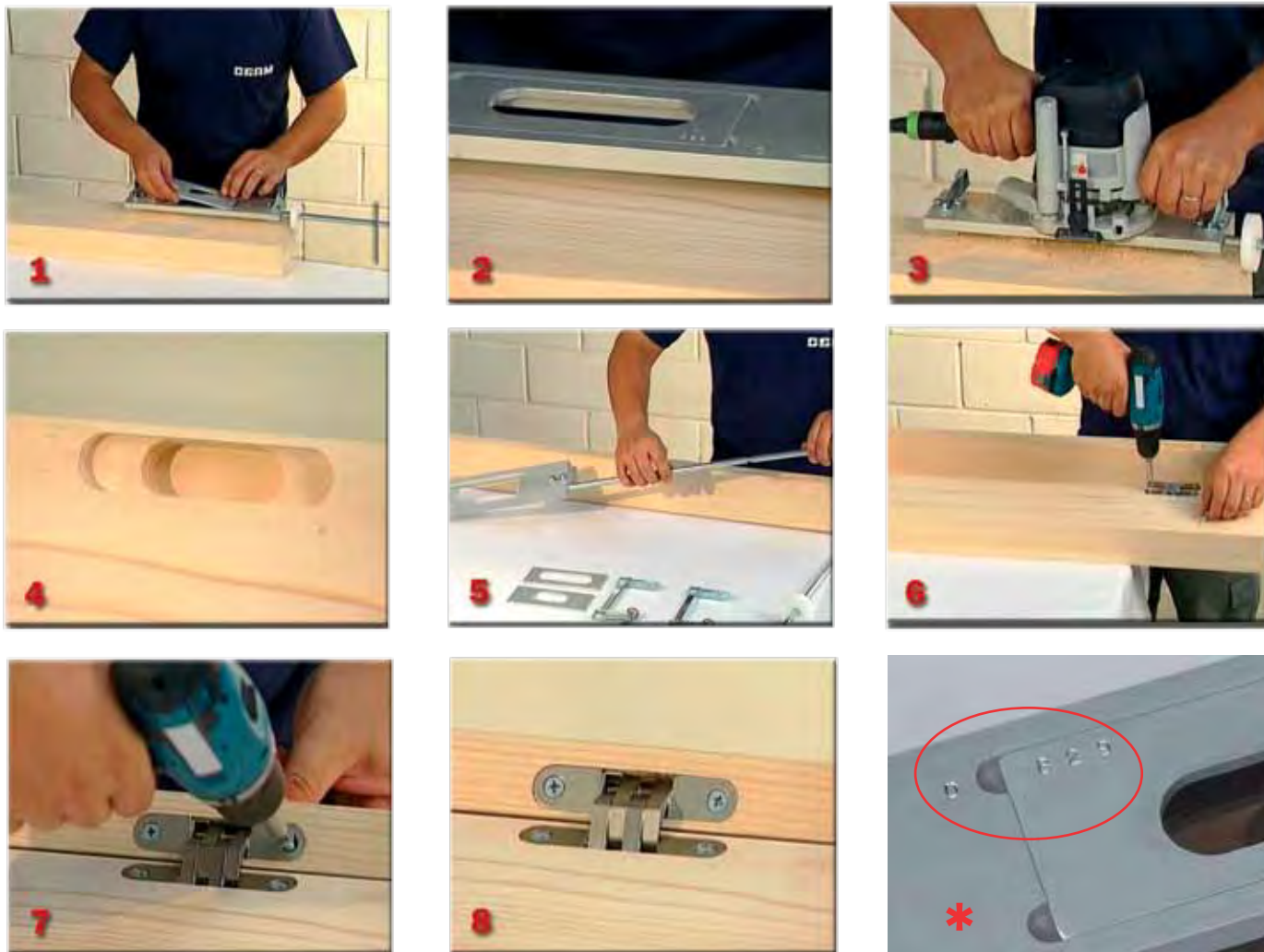


BAC1131NI

BAC1131 Order Codes

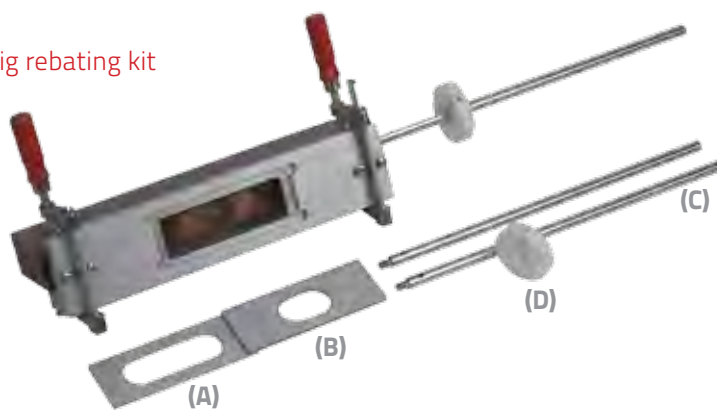
| | |
|----------------|---|
| BAC1131NI | Nickel |
| BACJIG-BAC1131 | Jig and hinge template (rent or buy) pg. 14 |

Installation & Tooling



A complete video of the installation process using the jig and hinge templates (available to buy or rent) is available for viewing on the Bellevue Architectural web site. It can be found in the "TECHNOLOGY then VIDEO" menu at www.bellevuearch.com.au

Jig rebating kit



Jig and/or templates available to rent or buy

| Cod. | Insert for |
|---|------------|
| BACT1029 | 1029 |
| BACT1030 | 1030 |
| BACT1130 | 1130 |
| BACT1131 | 1131 |
| BACT2010 | 2010 |
| BACJIG - Complete Jig excluding Insert | |



Milling templates to be used with jig

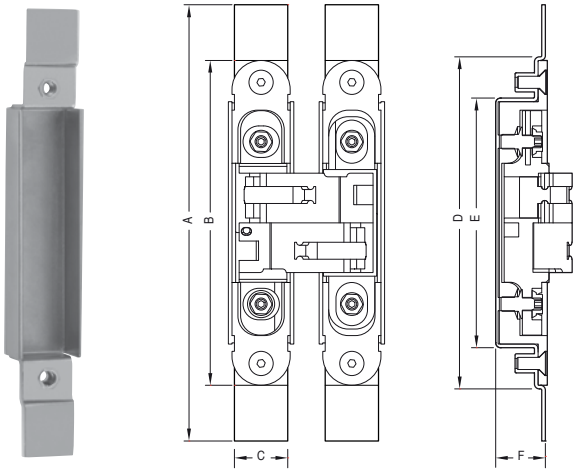
* Blocking clamps.

It is very important that the hinge templates are correctly assembled in the jig. A reference is printed on the template and the code is printed on the same side of the inserts to ensure proper assembly.

The jig rebating kit, which comprises of the jig, two extension arms, blocking clamps and a nylon ring, enables precise drilling into the jamb and door for the hinges to sit in. The hinge templates are made of 5mm thick aluminium. The strength of the materials used guarantees precise execution of the rebate slots with a manual router (16mm diameter cutter and 27mm external ring provided for manual router).

For each hinge model, two specific types of rebate insertions templates (easily replaceable) are used: one (A) to execute the butt slots and the other (B) for the internal depth slot. The drilling kit comes completed with: extension arms (C) With a nylon ring (D), they allow the installer to establish the desired distance between the rebate holes made in the door and jamb - both left and right hand.

Fixing box for metal jambs & doors

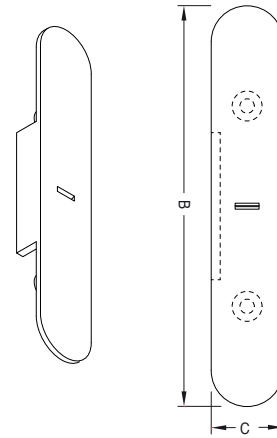


BAC1130XGP (used only with BAC1130)

| A | B | C | D | E | F |
|-------|-------|------|-------|-------|------|
| 180mm | 134mm | 22mm | 138mm | 104mm | 21mm |

The BAC1130XGP metal fixing box is used to fit the BAC1130 3D concealed hinge to a metal hollow section of a post, jamb or door.

Nylon cover for hole

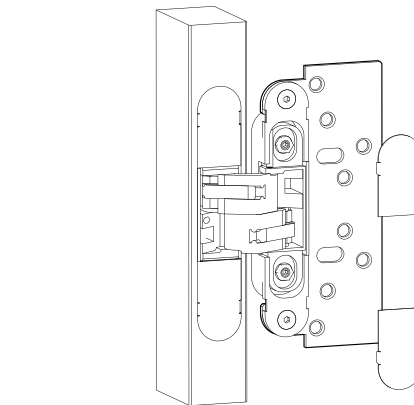
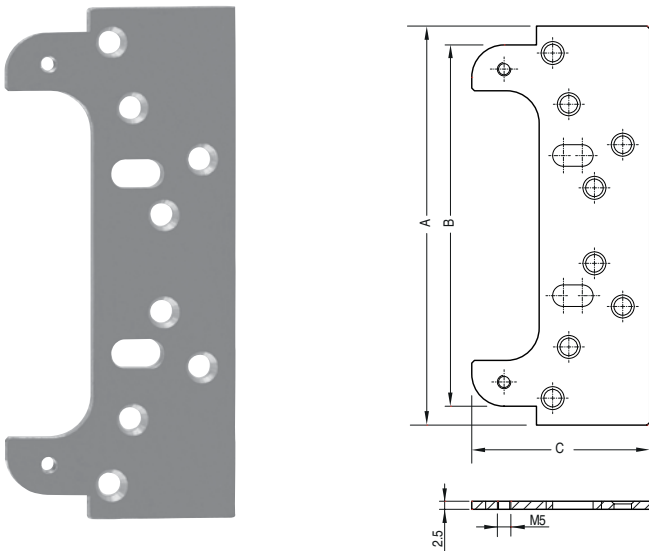


BAC1130XNB (used only with BAC1130)

| B | C |
|-------|--------|
| 134mm | 24.4mm |

The BAC1130XNB is used to cover an existing non used hinge cutout in the jamb or door, for aesthetic purposes only.

Offset fixing plate

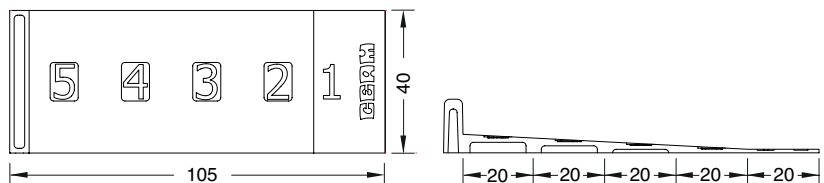
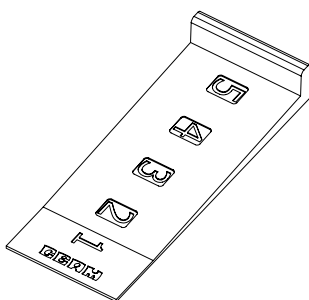


BAC1130XFP (used only with BAC1130)

| A | B | C |
|-------|-------|------|
| 148mm | 134mm | 66mm |

The BAC1130XFP offset fixing plate, when used in conjunction with the BAC1130 hinge, allows a door to be hung offset to a wall or timber / metal post or door jamb where required.

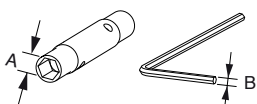
Adjustment wedge



BACWEG Adjustment Wedge

An aid to assist in positioning the door when hanging using Ceam concealed hinges

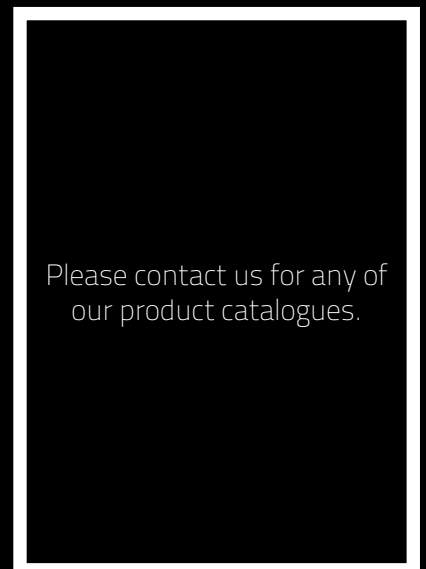
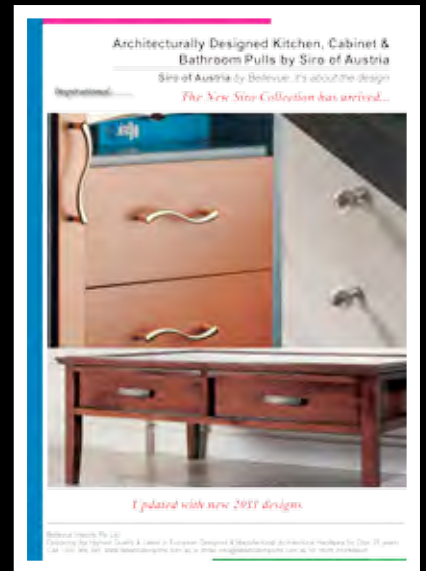
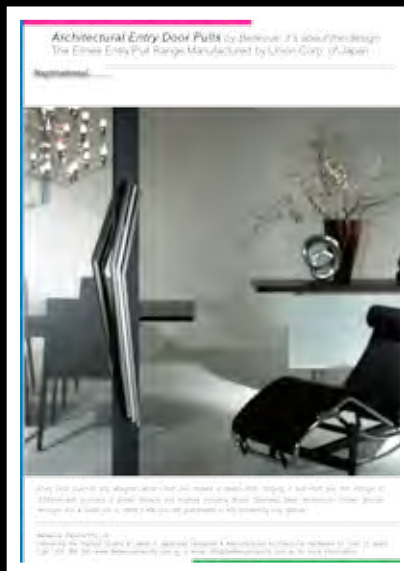
Adjustment keys



| | A | B | Used for Model |
|---------|----|-----|------------------|
| BACKEY1 | 8 | 2,5 | 1029, 1030, 1130 |
| BACKEY2 | 10 | 3 | 1131 |

BACKEY Adjustment Keys

Used to adjust the position of the door via the hinge's 3D adjustment axis points. Used to remove the hinge from its cup so the door can be removed and re-hung.



Bellevue Architectural
 954 Glenhuntly Road, Caulfield South, Victoria, 3162

Ph: +61 3 9571 5666
 Fax: +61 3 9571 1347

www.bellevuearch.com.au
 info@bellevuearch.com.au

*Please note that all images in this document are used for illustrative purposes only.

Bellevue Imports Pty Ltd trading as Bellevue Architectural
 Ceam Concealed Hinge Range: Catalogue V2/14